

ELECTO SONIC



ELECTRONIC ULTRASONIC METER

ElecTo SONIC is the ultrasonic meter offering built-in data communication thanks to its innovative electronic register with multi-protocol radio communication facilities. It ensures excellent performance in all installation conditions and is insensitive to the chemical and physical characteristics of water. It is the ideal solution for Utility installations. Its wide 9-character LCD display (digits and symbols) makes it very easy to read, while providing additional information to both users and operators. ElecTo SONIC supports remote data reading with fixed and mobile system, while offering maximum interoperability.



ADM METERS LLP
IMPECCABLE TECHNOLOGY

In Collaboration with
 **maddalena**[®]
Italy

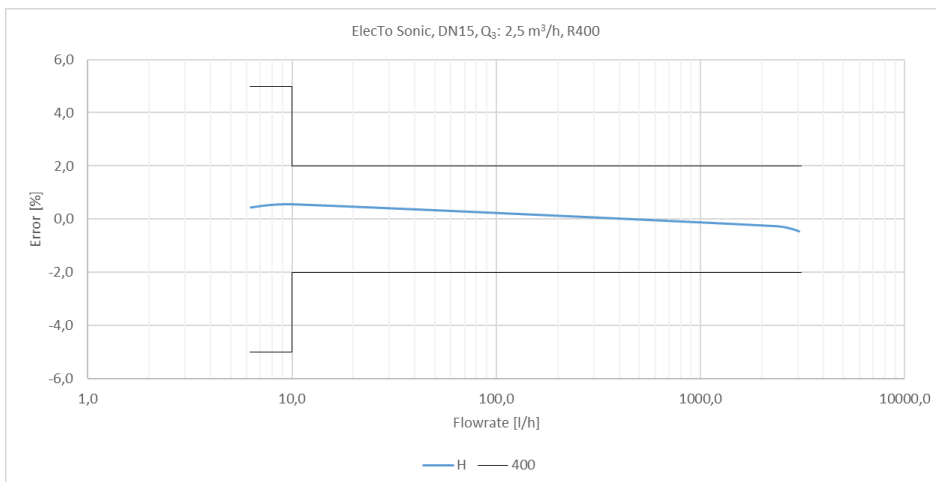
ELECTO SONIC

FEATURES

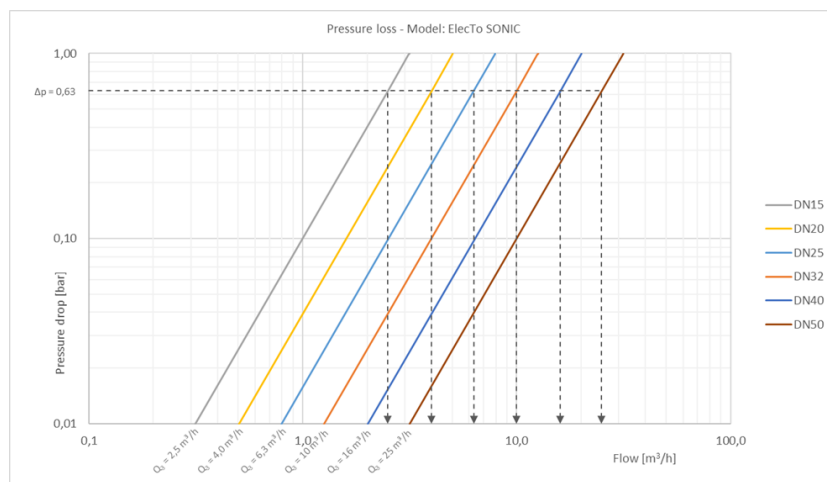
- Ultrasonic measuring technology
- DN: 15 to 50
- MID certificate: R MAX 800
- Health certifications available for a number of countries
- IP68 protection rating
- 9-character display (digits and symbols)
- Datalogging with a storage capacity of over 11,000 values
- Integrated wM-Bus and LoRaWAN radio (battery life with default configuration 16 years)
- Optimized antenna for maximum radio range
- NB-IoT integrated radio available
- Fault detection: low water temperature, low battery, empty line / air, overconsumption, no consumption, reversed meter, leakage, backflow and expiry of testing period
- Local NFC interface
- Programming and testing kit available upon request
- For further information on electronic register and radio transmission functions, please refer to the instruction manual



TYPICAL ERROR CURVE



HEAD LOSS DIAGRAM



METROLOGICAL PERFORMANCE

Size	mm	15	20	25
	in	½	¾	1
Module B no.	IT-041-22-2213			
Module D no.	0119-SJ-A010-08			
Q ₃ /Q ₁ = R Referred to installation position	Any ≤ 500	Any ≤ 800	Any ≤ 500	Any ≤ 800
MID standard performance *				
Q ₃	m ³ /h	1,6	2,5	4,0
Q ₄	m ³ /h	2	3,13	5
R		250	400	250
Q ₁	l/h	6,40	6,25	10
Q ₂	l/h	10,24	10	16

* Other values of R available upon request.

TECHNICAL DATA

Maximum permissible error between Q ₁ and Q ₂ (excluded)	+/- 5%			
Maximum permissible error between Q ₂ (included) and Q ₄	+/- 2% with water temperature ≤ 30°C +/- 3% with water temperature > 30°C			
Temperature class	T50			
Flow profile sensitivity classes	U0 - D0			
Starting flow rate	l/h	5	7	
Head loss	ΔP63			
Nominal pressure	bar	16		
Maximum reading	m ³	999.999		
Minimum reading	l	0,001		
Indicative weight	kg	0,67	0,76	1,32

METROLOGICAL PERFORMANCE

Size	mm	32	40	50
	in	1 ¼	1 ½	2
Module B no.	IT-041-22-2213			
Module D no.	0119-SJ-A010-08			
Q ₃ /Q ₁ = R Referred to installation position	Any ≤ 800			
MID standard performance *				
Q ₃	m ³ /h	10	16	25
Q ₄	m ³ /h	12,50	20	31,25
R		400		
Q ₁	l/h	25	40	62,5
Q ₂	l/h	40	64	100

* Other values of R available upon request.

TECHNICAL DATA

Maximum permissible error between Q ₁ and Q ₂ (excluded)	+/- 5%			
Maximum permissible error between Q ₂ (included) and Q ₄	+/- 2% with water temperature ≤ 30°C +/- 3% with water temperature > 30°C			
Temperature class	T50			
Flow profile sensitivity classes	U0 - D0			
Starting flow rate	l/h	12	25	31
Head loss	ΔP63			
Nominal pressure	bar	16		
Maximum reading	m ³	999.999		
Minimum reading	l	0,001		
Indicative weight	kg	1,55	2,12	3,2

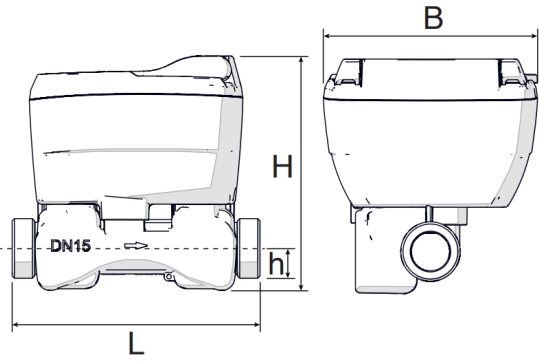


ADM METERS LLP
IMPECCABLE TECHNOLOGY

In Collaboration with

maddalena[®]
Italy

DIMENSIONS



Size	mm	15	20	25
	in	½	¾	1

Thread	in	G ¾ B G 1 B	G 1 B	G 1 ¼ B
---------------	-----------	---------------	-------	---------

L	mm	110/165	130/190	160/260
----------	-----------	---------	---------	---------

H	mm	104	105	119
----------	-----------	-----	-----	-----

h	mm	19	21,5	25
----------	-----------	----	------	----

B	mm	95		
----------	-----------	----	--	--

Size	mm	32	40	50
	in	1 ¼	1 ½	2

Thread	in	G 1 ½ B	G 2 B	G 2 ½ B
---------------	-----------	---------	-------	---------

L	mm	160/260	200/300	300
----------	-----------	---------	---------	-----

H	mm	119	126	143
----------	-----------	-----	-----	-----

h	mm	29	34	38,5
----------	-----------	----	----	------

B	mm	95		
----------	-----------	----	--	--



ADM METERS LLP
IMPECCABLE TECHNOLOGY

In Collaboration with
maddalena[®]
Italy