



TANGENTIAL HELIX WATER METER

WT is an excellent solution for high-volume irrigation metering. Using a tangential helix, it offers good metrological performance, wide measuring range and excellent resistance over time, even when used with irrigation water. Easy readability thanks to its IP68 copper-glass register. Robust, long lasting and designed for the most challenging environments, it is suitable for both drinking and irrigation water. It can be equipped with the latest remote data transmission technologies.



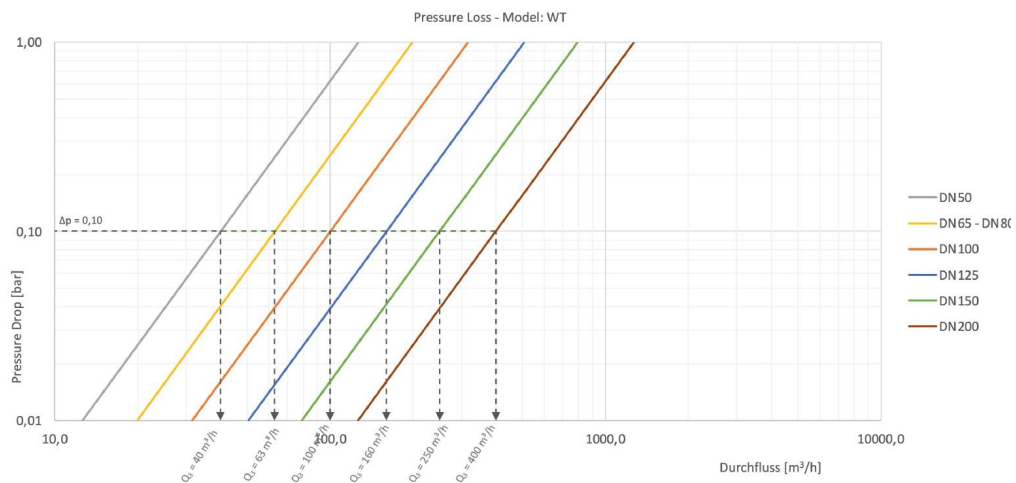
WT

FEATURES

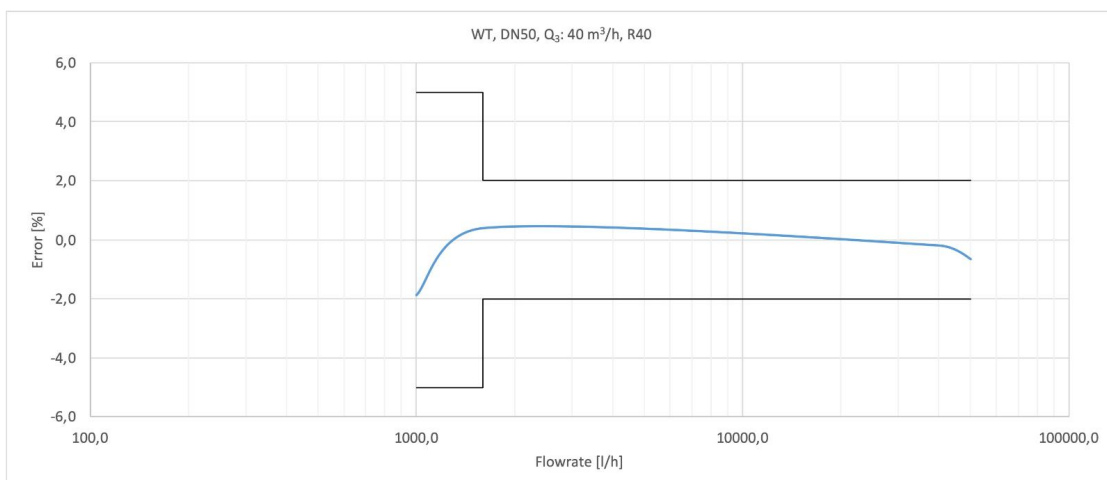
- Woltmann tangential helix cold water meter
- Ideal for large volume irrigation applications
- Certified MID R max 40
- DN: 50÷200
- High protection against external magnetic fields
- Mineral glass lens
- Sealed register (IP68 copper/glass) to entirely prevent condensation issues
- Can be provided fitted with wired or radio communication module
- MID-certified also in the "delivery group" version (see specific illustrative material), and therefore part of a metering system that includes On-Off valve and flow limiter
- Ready for reed switch pulse emitter (DN 50÷125 mm 1P=100 L / DN 150÷200 mm 1P=1000 L)



TYPICAL ERROR CURVE



HEAD LOSS DIAGRAM



METROLOGICAL PERFORMANCE

Size	mm	50	65	80	100	125	150	200
	in	2	2 ½	3	4	5	6	8

Module B no. TCM 142/13-5129

Module D no. 0119-SJ-A010-08

Q₃/Q₁ = R
Referred to installation position H; V = 40

MID standard performance *

Q₃	m³/h	40	63	100	160	250	400
Q₄	m³/h	50	78,75	125	200	312,50	500
R		40					
Q₁	l/h	1000	1575	2500	4000	6250	10000
Q₂	l/h	1600	2520	4000	6400	10000	16000

* Other values of R available upon request.

TECHNICAL DATA

Maximum permissible error between Q₁ and Q₂ (excluded) +/- 5%

Maximum permissible error between Q₂ (included) and Q₄ +/- 2% with water temperature ≤ 30°C

Temperature class T30

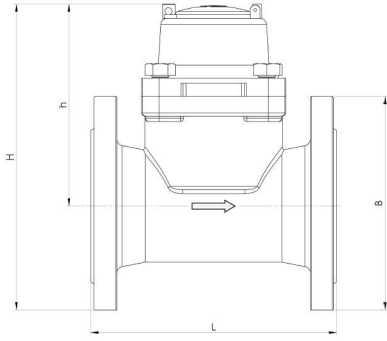
Flow profile sensitivity classes U10 - D5

Starting flow rate	l/h	125	190	320	450	700	1200	1800
Head loss		ΔP10						
Nominal pressure	bar	16						
Maximum reading	m³	9.999.999				99.999.999		
Minimum reading	l	0,002				0,02		
Indicative weight	kg	10,9	12,7	14	16,2	21,5	29,1	42,6



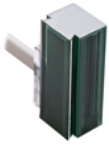
ADM METERS LLP
IMPECCABLE TECHNOLOGY

DIMENSIONS



Size	mm	50	65	80	100	125	150	200	
	in	2	2 ½	3	4	5	6	8	
Thread	in	G 2 B	G 2 ½ B	G 3 B	G 4 B	G 5 B	G 6 B	G 8 B	
	L	mm	200		225	250		300	350
H	mm	250	264	280	292	312	338	378	
h	mm	136			186				206
B	mm	165	185	200	220	250	280	340	

COMMUNICATION MODULES



REED SWITCH WOLTMANN

For more information on all the accessories available, consult the specific technical data sheets on the website www.maddalena.it



ADM METERS LLP
IMPECCABLE TECHNOLOGY

maddalena[®]
METERING EXPERTISE