

COMPOSITE DS TRP



COMPOSITE MULTI-JET MECHANICAL DRIVE METER

Composite DS TRP combines accuracy, durability, and smart metering readiness in a single solution. Its advanced engineering composite body with multi-jet technology, low starting flow rate, and wide measuring range ensure precise measurement of every drop of water. The rugged composite construction and sealed dry dial register provide long-lasting performance in all installation environments, while compatibility with remote reading technologies makes it ideal for modern utility networks.



ADM METERS LLP
IMPECCABLE TECHNOLOGY

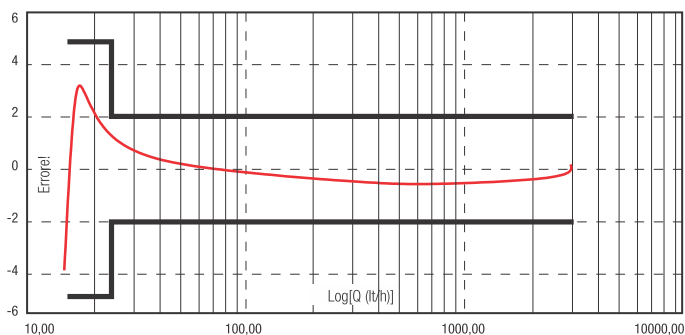
COMPOSITE DS TRP

FEATURES

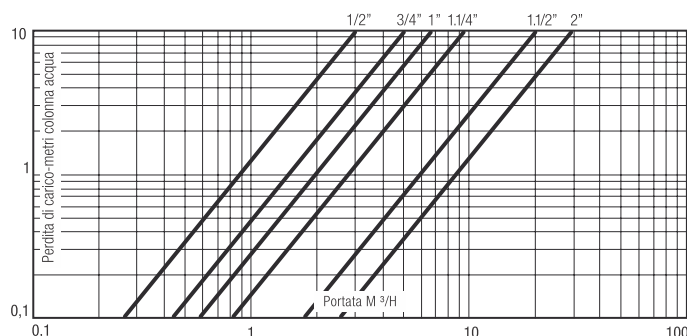
- High-grade engineering composite body and outer ring (patented)
- Corrosion and UV resistant construction
- Multi-jet mechanical drive technology
- Ideal for utility and outdoor applications
- ISO 4064 certified optional BIS/MID (up to R200)
- Available in DN25 size (DN15/DN20/DN32 launching soon)
- Suitable for horizontal & vertical installation
- IP68 hermetically sealed register with ultrasonic welding technology
- Designed for operating pressures up to 16kg & higher
- Compatible with wired and RF communication modules
- Pre-equipped for pulse output integration (1 Pulse = 10 L)
- Low starting flow for improved leak detection
- Long-life, maintenance-free performance



TYPICAL ERROR CURVE



HEAD LOSS DIAGRAM



ADM METERS LLP
IMPECCABLE TECHNOLOGY

HYDRAULIC PERFORMANCE

Size	mm	15	20	25
	in	½"	¾"	1"

Performance in accordance with IS 779:1994, class B

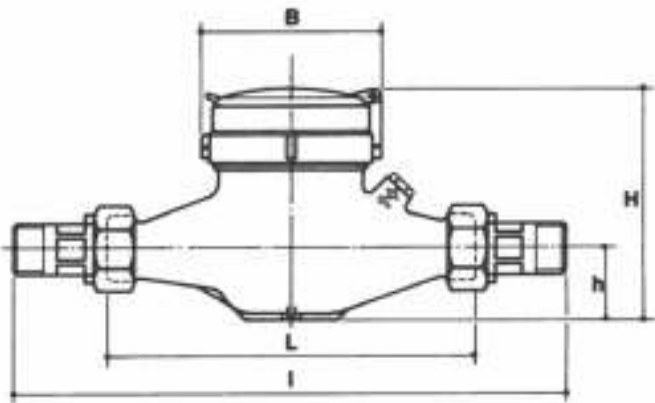
Q_{min}	l/h	30	50	70
Q_t	l/h	120	200	280
Q_n	m ³ /h	1.5	2.5	3.5
Q_{max}	m ³ /h	3	5	7

Real performance

Q_{min}	l/h	25	25	50
Q_t	l/h	37.5	37.5	75
Q_n	m ³ /h	1.5	2.5	3.5
Q_{max}	m ³ /h	3	5	7
Starting flow rate	l/h	8-10	8-10	20-22
Head of loss at Q_{max}	bar	0.6	0.8	0.5
Head of loss at Q_n	bar	0.15	0.2	0.13
Nominal pressure	bar	16	16	16
Maximum reading	m ³	100,000	100,000	100,000

DIMENSIONS

Length (L)	mm	110-130	160-190	260
		145-160-165		
		170-190		
Length with couplings (l)	mm	190-210-225	258-288	378
		240-245-250		



ADM METERS LLP
IMPECCABLE TECHNOLOGY

ACCESSORIES



SINGLE REED SWITCH PULSER

Suitable for industrial batching.



QUADRAPLUS PULSER

Static bidirectional pulser; equipped with false pulse detection device; battery-powered.



ARROW RADIO MODULE

In combination with the Quadraplus static pulser or the single reed switch pulser it enables the remote reading of water meters.



COUPLING KIT

It includes two nuts, two tail pieces and two gaskets.



ADM METERS LLP

IMPECCABLE TECHNOLOGY

Plot No 7, Block No. 22, Opp. Ramdev Masala,
near Zydus Biotech Park, Sarkhej-Bavla Highway,
Changodar, Gujarat - 382 210.

Phone: +91 99981 11064 / +91 98985 07911

Email: info@admmeters.com

Web: www.admmeters.com

For more information, please contact your sales representative.

